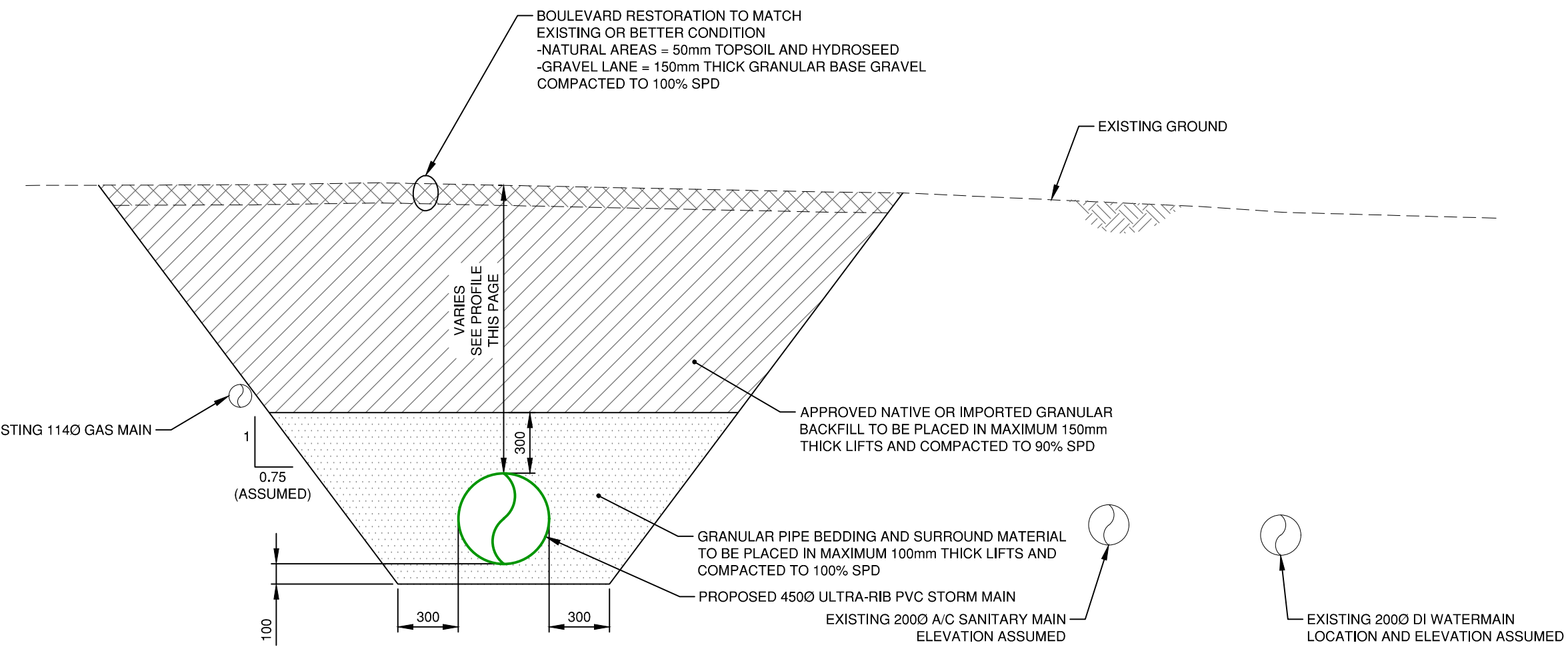
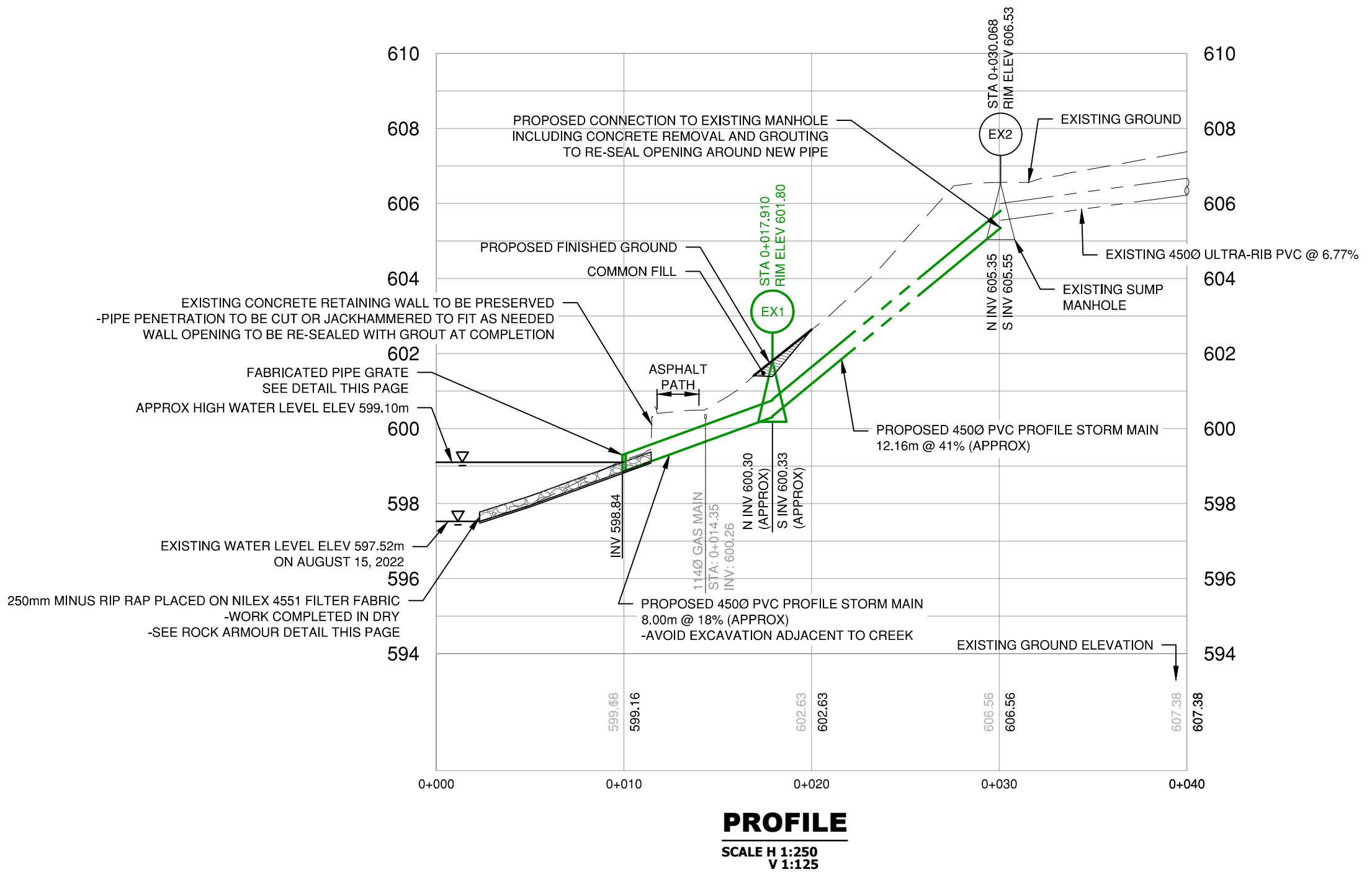




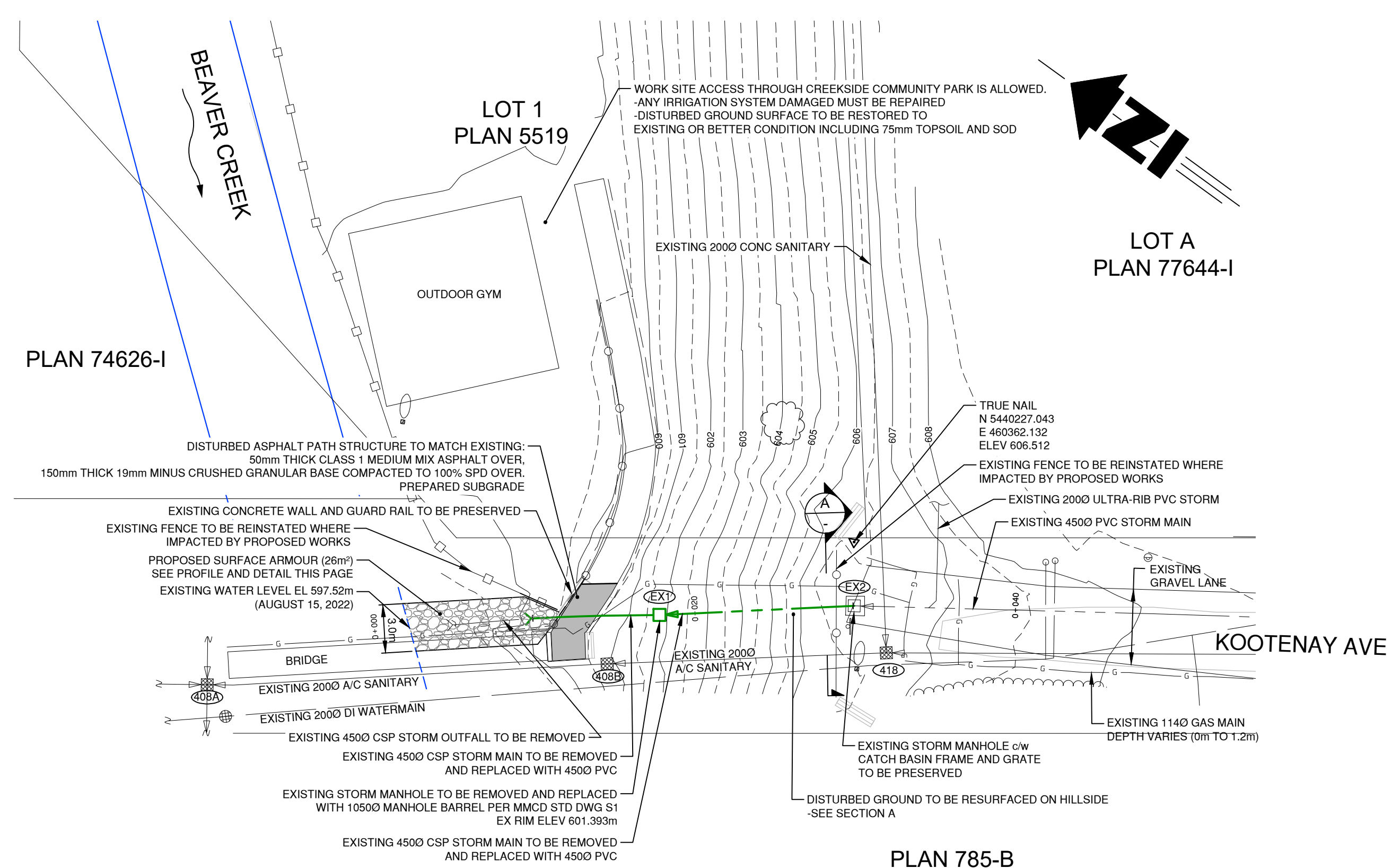
KEY PLAN
SCALE NTS



A SECTION
SCALE 1:25



PROFILE
SCALE H 1:250
V 1:125



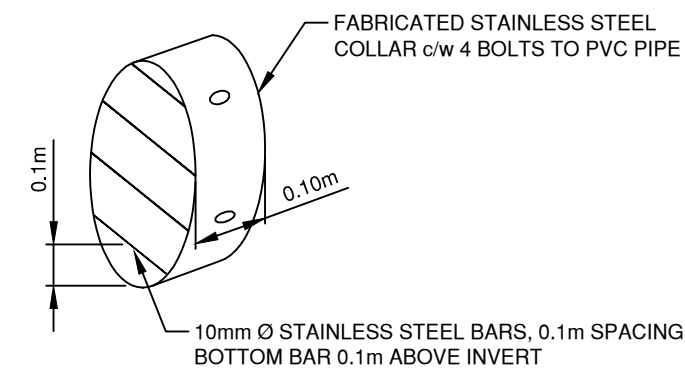
PLAN
SCALE 1:250

GENERAL NOTES

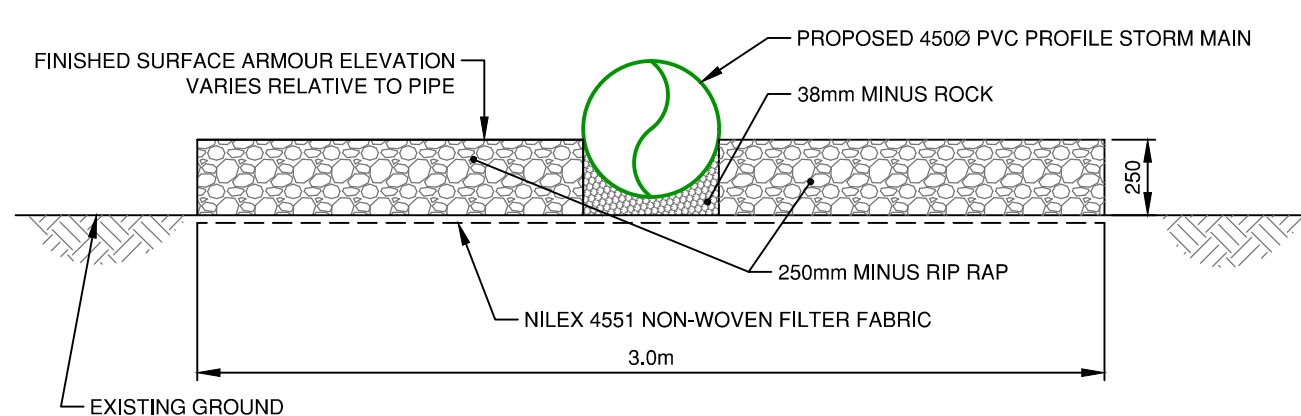
- ALL WORKS TO BE CONSTRUCTED IN ACCORDANCE WITH MMCD VOLUME II 2019 EDITION, AND THE CONTRACT SPECIFICATIONS.
- ALL WORK DONE IN CONJUNCTION WITH THESE SPECIFICATIONS AND DRAWINGS MUST COMPLY WITH THE CURRENT OCCUPATIONAL HEALTH AND SAFETY REGULATIONS OF WORKSAFE BC.
- THE LOCATIONS OF EXISTING INFRASTRUCTURE SHOWN ARE BASED ON FIELD SURVEY AND RECORD DRAWINGS. IT IS THE CONTRACTOR'S RESPONSIBILITY TO VERIFY THE LOCATION OF EXISTING UTILITIES AND REPORT ANY CONFLICT, OMISSION OR DISCREPANCY DIRECTLY TO THE CONTRACT ADMINISTRATOR PRIOR TO COMMENCEMENT OF CONSTRUCTION. IT IS THE CONTRACTOR'S RESPONSIBILITY TO PRESERVE AND PROTECT ALL EXISTING WORKS DURING CONSTRUCTION.
- ALL DIMENSIONS SHOWN IN METERS UNLESS NOTED OTHERWISE.
- ALL PIPE CURVATURE (HORIZONTAL AND VERTICAL) TO BE ACHIEVED BY DEFLECTION AT JOINTS. PIPE BENDING WILL NOT BE PERMITTED.
- ALL PIPING THAT IS CUT AND ABANDONED DURING THIS PROJECT IS TO BE CAPPED (PLUGGED WITH CONCRETE) PRIOR TO BURY.

ROADWORKS AND RESTORATION NOTES

- FINAL HEIGHT OF ALL WATER, SANITARY APPURTENANCES (VALVE BOXES, CURB STOPS, MANHOLE COVERS) TO BE ADJUSTED TO FINAL GRADE (OR MAX 8mm BELOW FINAL GRADE).
- DISTURBED GROUND SURFACE TO BE RESTORED TO EXISTING CONDITION OR BETTER AT CONSTRUCTION COMPLETION.
- ANY RIPARIAN VEGETATION DISTURBED BY PROJECT WILL BE PROMPTLY RESTORED TO PRE-DISTURBANCE (OR BETTER) CONDITIONS. ANY VEGETATION REMOVED FOR THE SURFACE ARMOURING (RIP RAP) FOOTPRINT WILL BE REPLACED OR TRANSPLANTED OUTSIDE THE ARMOURING FOOTPRINT.



PIPE GRATE DETAIL
SCALE NTS



ROCK ARMOUR DETAIL
SCALE NTS

LEGEND		
EXISTING	PROPOSED	DESCRIPTION
		SANITARY MAIN
		SANITARY MANHOLE
		CLEANOUT
		LIFT STATION
		SEPTIC TANK
		STORM MAIN
		STORM DITCH
		CULVERT
		STORM MANHOLE
		CATCHBASIN
		STORM DRYWELL
		WATER MAIN
		WATER SERVICE
		CURB STOP
		VALVE
		STANDPIPE
		HYDRANT
		AIR RELEASE VALVE
		REDUCER
		SPRINKLER
		IRRIGATION BOX
		END CAP
		POWER
		TEL
		CABLE
		STREET LIGHT
		GAS
		POWER POLE
		LAMP STANDARD
		LIGHT POST
		POLE ANCHOR
		JUNCTION BOX
		TEST PIT
		IRON PIN
		SURVEY CONTROL

No.	DATE	DESCRIPTION	BY	APPD
1	SEP 2022	ISSUED FOR TENDER	AZ	SW

ISSUES / REVISIONS

No.	DATE	DESCRIPTION	BY	APPD

TRUE CONSULTING
2 - 860 Eldorado St = Trail BC = V1R 3V4
tel 250.368.8707 = fax 250.368.8708
info@TRUE.bc.ca

VILLAGE OF FRUITVALE
KOOTENAY AVE SOUTH STORM MAIN REPLACEMENT PHASE 2

PLAN, PROFILE AND SECTION

SCALE	0 1:250 10
DESIGN BY	SW
DRAWN BY	AZ
DATE	AUGUST 2022
PROJECT REFERENCE No.	961-072
DRAWING No.	1 OF 1
SHEET	1

961-072-01